

Specifications

LW540H (SCA ISDB-T)

		43	49
DISPLAY	Type	Direct LED	
	Resolution	1,920 x 1,080 (FHD)	
	Brightness	300cd/m ²	
	Dynamic Contrast Ratio	1,000,000:1	
	Static Contrast Ratio	1,200:1	
	Viewing Angle Degree	178° / 178°	
BROADCASTING SYSTEM	Analog	PAL-M/N, NTSC-M	
	Digital	ISDB-T	
VIDEO	Triple XD Engine	•	
	Real Cinema 24p (3:3 Pull down)	•	
	Aspect Ratio	7 modes (16:9, Just Scan, Set By Program, 4:3, Zoom, Zoom2, Cinema Zoom1)	
AUDIO	Audio Output	10W + 10W	
	Speaker System	1 Way 2 Speakers	
	Sound Mode	• 6 modes (Standard, News, Music, Cinema, Soccer, Game)	
	Clear Voice	•	
GENERAL FEATURES	Type	Pro:Centric Lite (USB Type), Pro:Centric V (Available from July)	
	Pro:Centric® Application	PCA 3.7	
	RF (1/2 Tuner)	1 Tuner	
	HCAP (SDK)	GEM / Flash	
	Management	Remote Diagnostics (USB)	
	Interactivity	HTNG / HDMI-CEC	
	Connectivity	MHL	
	RIP Compatibility	Teleadapt (RS-232C), Teleadapt / Guestlink (HDMI CEC)	
	Advanced Settings	Auto Off / Auto Sleep, Smart Energy Saving, Motion Eye Care	
	Anti-theft System	Kensington Lock	
COMMERCIAL FEATURES	Welcome Screen/Video, USB Cloning, USB Auto Play back, Hotel Mode, Lock Mode, IR Out, Multi IR Code		
INTERFACE	Side	HDMI In, USB 2.0	
	Rear	RF In, AV In (Share with Component), Component In + Audio, Optical Audio Out, HDMI/HDCP Input, RGB In, PC Audio Input (Share with Component Audio), RS-232C, LAN Port*	
CABINET (Unit : mm)	Bezel Width (L/R, U, B) : on bezel based	12.1, 12.1, 15.1	
	Bezel Width (L/R, U, B) : off bezel based	9.8, 9.8, 12.8	
	Vesa	200 X 200	300 X 300
	WxHxD / weight (w/o stand)	974 x 571 x 70.3 (SPK 79.4) / 9.3kg	1,107 x 645 x 70.3 (SPK 79.4) / 11.8kg
	WxHxD / weight (with stand)	974 x 620 x 199 / 9.5kg	1,107 x 702 x 216 / 12.1kg
	WxHxD / weight (Carton)	1,060 x 660 x 152 / 11.7kg	1,197 x 775 x 162 / 16.1kg
POWER (Unit : Watts)	Voltage, HZ	100~240V, 50 / 60 Hz	
	Max (Watts)	85	99
	Typical (Watts)	61	74
	Energy Saving (Min)	49	60
	Energy Saving (Med)	34	41
	Energy Saving (Max)	19	23
	Stand-by (Watts)	0.3↓	
STANDARD APPROVAL	Safety	CB	
	Etc.	RoHS	

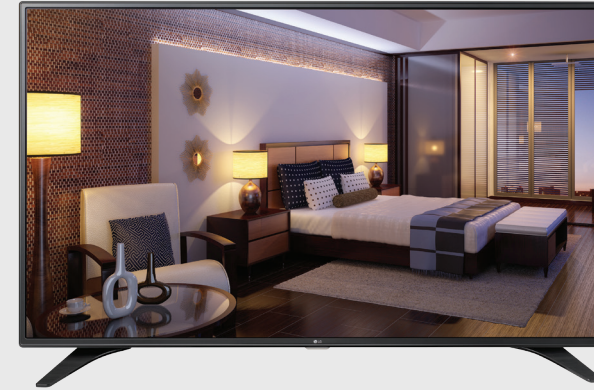
*LAN Port for Pro:Centric Server

Pro:Centric® V

LW540H (SCA ISDB-T)

Comprehensive Hospitality Solution with Pro:Centric® V

Now, you can manage your hotel more easily and efficiently with Pro:Centric® series TV models, helping your guests to have a more comfortable and convenient experience in their hotel room. You can also configure and/or update all guest room TVs via a centralized management system, thereby saving cost and workforce.



LW540H

- Pro:Centric® Application
- Embedded Customizable Templates
- Remote Management via RF & IP
- Multiple Channel Spooling
- EZ-Manager for quick and simple TV settings
- Support Pro:Centric Lit (USB Type)

screen size

43", 49"

*Pro:Centric V is available from July

Key Features



Enhanced Guest Experience

Pro:Centric enables to differentiate guest room experiences with customizable billboards and Electronic Program Guide (EPG) which easily navigates TV channels and program.

Features

- Hotel Information, Weather, Map, Advanced wake-up time setting
- EPG
- PMS Interfaced Service ready



Easy Content Management

Pro:Centric enables centralized and intuitive in-room TV control from the TV settings to content creation and updates.

Features

- Embedded Customizable Templates (Added one more template in 2016)
- Up to 8 Hotel Channel Spooling



Optimized Total Cost of Ownership

Optimize TCO with Pro:Centric® by saving workforce and time for development & management cost for hospitality solutions.

Features

- EZ-Manager 2.1 for more efficient initial configuration
- Remote Management via RF & IP

Hospitality Features



Hotel Mode

From channel selection to volume setting, you can control the TV settings in all the rooms with Hotel Mode. Prevent misuse by customers, set volume limits, or reset settings to default for any TV. You are in control of it all.



USB Cloning

Clone all commercial TVs with astonishing speed and ease. The USB Cloning feature allows you to simply copy the TV settings to all TVs using a USB memory device.



Remote Diagnostics (USB)

Enable service engineers to recognize technical issues of a TV quickly and easily through a USB. The TV stores any technical issues encountered and can output them to a USB device.



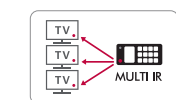
USB Auto Playback

LG Commercial TVs enable to play content in external storages and play them automatically and repeatedly.



Welcome Screen/Video

With the capability to display video as well as images, Commercial Lite TVs allow for a greater variation of greeting messages in hotel rooms which make customers feel more welcome and cared for.



Multi IR

Multi IR function eliminate the remote control signal interference between TVs in multiple dwelling beds.

* Hospitality features available without Pro:Centric® Server.

Download LG Commercial Display Mobile App



Learn more www.lg.com/b2b or www.lgcommercial.com

YouTube [youtube.com/c/LGCommercialDisplay](https://www.youtube.com/c/LGCommercialDisplay)

All screen images are simulated. Dimension and weights are approximate. Design, features and specifications subject to change without notice. Copyright © 2016 LG Electronics Inc. All rights reserved. "LG Life's Good" is a registered trademark of LG Corp. The names of products and brands mentioned here may be the trademarks of their respective owners.



Comprehensive Hospitality Solution with Pro:Centric®

Pro:Centric® V LW540H

Pro:Centric® V

SCA ISDB-T

The Pro:Centric® Application enabled with the Pro:Centric® server provides customizable templates. With those templates, hoteliers can add the hotel branded portal pages and channels. It is also ready for guest-centric services, such as a Welcome Page with the guest's name, Auto Language Setting and Billing Information with the customizable billboard and map pages, etc.

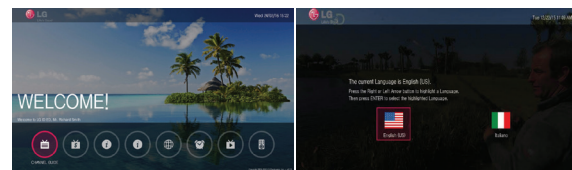
Pro:Centric® Features

*Pro:Centric V is available from July



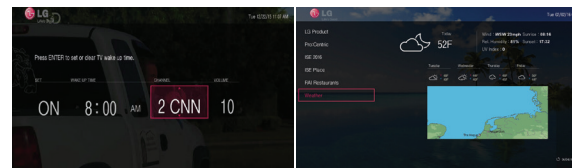
Enhanced Customer Experience

Personalize the page with the Pro : Centric® applications(PCA) which improves guests' in-room experience by providing a variety of additional features conveniently just for them.



Welcome Page

Language selection



Wake-up Setting

Weather Information

• Personalized Pages

When linked with the Property Management System, it provides a Welcome Page with the guest name, Auto Language Setting and Billing information with the guest's name. (From 2016, Arabic, Hebrew, Persian language are also available)

• Various Additional Features

PCA serves the convenience of the guest through a Wake-up setting, Weather Information, Map Service, and much more functions that you can choose.



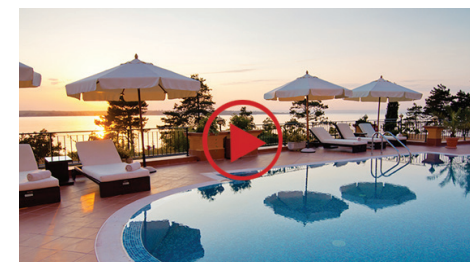
Easy Content Creation & Management

You can now differentiate your hotel with our customizable templates pages which can be specialized for your property.



• Customizable Template & Page

Choose an alternative look & feel template based on your preference, and edit multiple sections with 40 pages of billboards by yourself with the web based tool. (Max 15pages / section Available)



• Multi Channel Spooling

Operation of up to 8 hotel channels (22 sub-channels) can offer various information and added services.



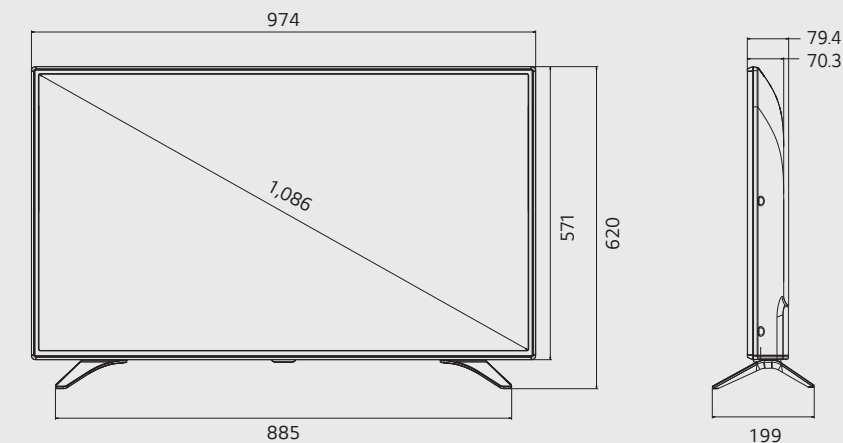
Pro:Centric® Lite

The cost effective LG Pro:Centric® Lite application allows for modification of hotel information to fit your service. Without an extra server or set-top box, value added TV service can be delivered with a single USB drive.

Dimensions (with stand)

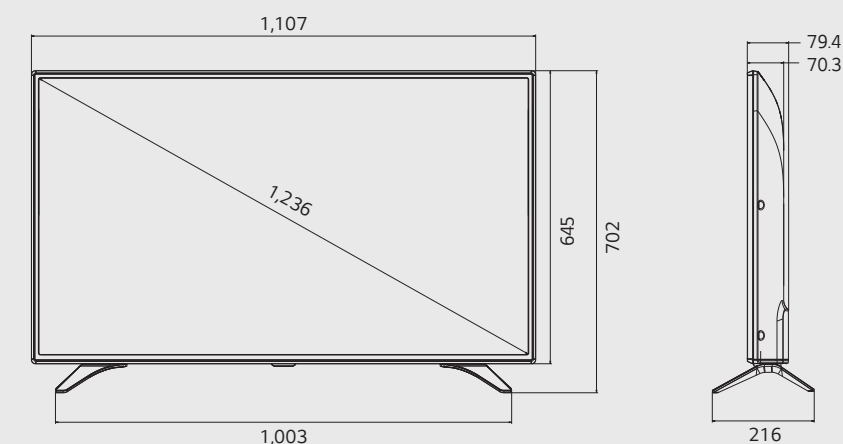
43"

974 x 620 x 199
9.5kg



49"

1,107 x 702 x 216
12.1kg



Connectivity

- 1 LAN
- 2 OPTICAL AUDIO OUT
- 3 HDMI IN 1
- 4 RGB IN (PC)
- 5 RS-232C IN
- 6 COMPONENT IN / AV IN
- 7 ANTENNA/CABLE IN
- 8 HDMI IN 2
- 9 USB IN

